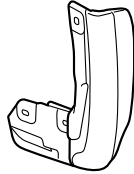
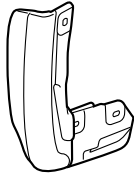


**PARTS LIST**

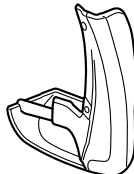
Left front splash guard



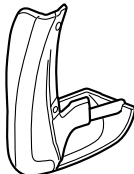
Right front splash guard



Left rear splash guard



Right rear splash guard



2 Clips



8 Self-tapping screws, 5 x 25 mm



8 Self-tapping screws, 5 x 18 mm



2 Spring nuts



4 Brackets

**TOOL AND SUPPLIES REQUIRED**

Phillips screwdriver

Stubby phillips screwdriver

Drill

4 mm, 6 mm, and 10 mm Drill bits

File

Pushpin

Hex wrench

Blanket

Tape

Utility knife

Rigid rack

Eye protection (safety goggles, face shields, etc.)

Trim Tool Set (SOJATP2014)

(Available through the Honda Tool and Equipment program. On the iN, click on: Service/Service Bay/Tool and Equipment Program, then enter the number under "Search." Or call 888-424-6857.)

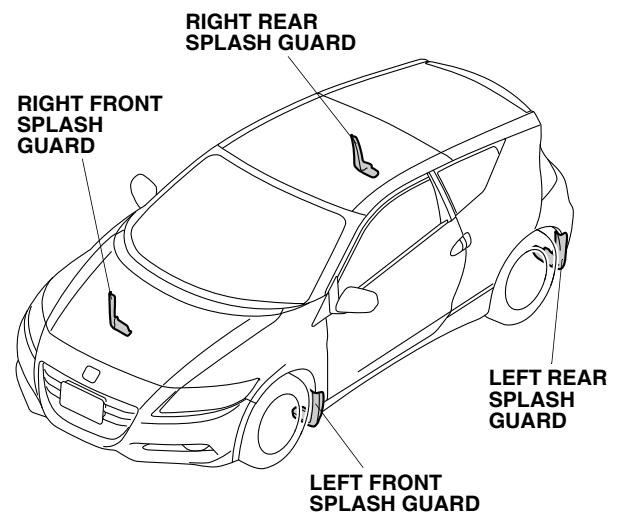
Masking tape

Scissors

Chalk

10 mm Open end wrench

Scale

**Illustration of the Splash Guards on the Vehicle**

## INSTALLATION

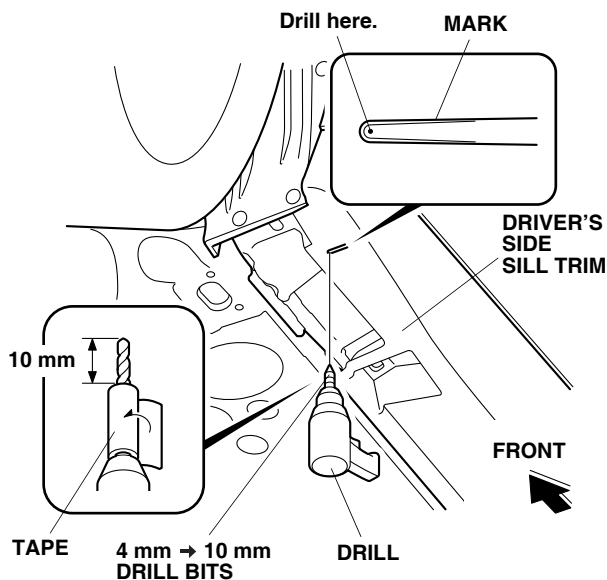
**Customer Information:** The information in this installation instruction is intended for use only by skilled technicians who have the proper tools, equipment, and training to correctly and safely add equipment to your vehicle. These procedures should not be attempted by “do-it-yourselfers.”

NOTE: Do not damage the vehicle paint finish.

1. Make sure you have the anti-theft code for the audio unit and navigation unit (if equipped), then write down the radio station presets.
2. Disconnect the negative cable from the battery.

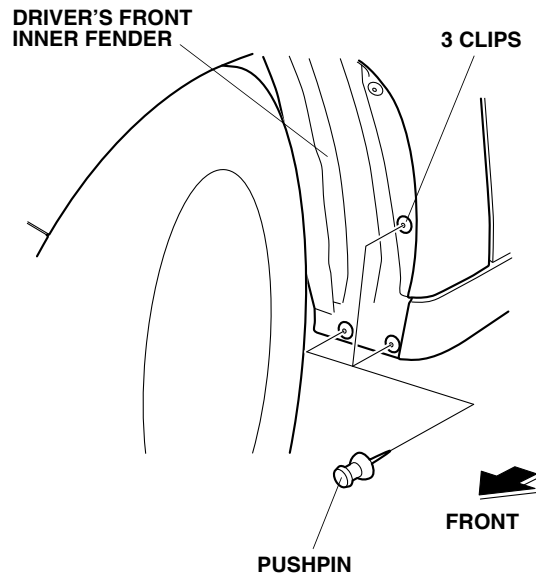
### Installing the Front Splash Guards

3. Turn the steering wheel fully counterclockwise.

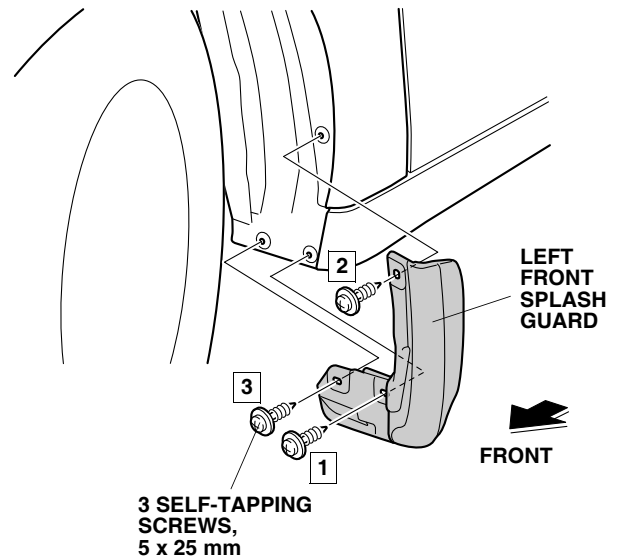


4. With the vehicle on a lift, locate the indent on the bottom of the driver's side sill trim as shown.
5. While wearing eye protection, drill the mark on the left side sill trim with a 4 mm drill bit, then enlarge the hole with a 10 mm drill bit. Remove any burrs. NOTE: To prevent damage to any vehicle parts, wrap tape around the drill bit 10 mm away from the tip as shown.

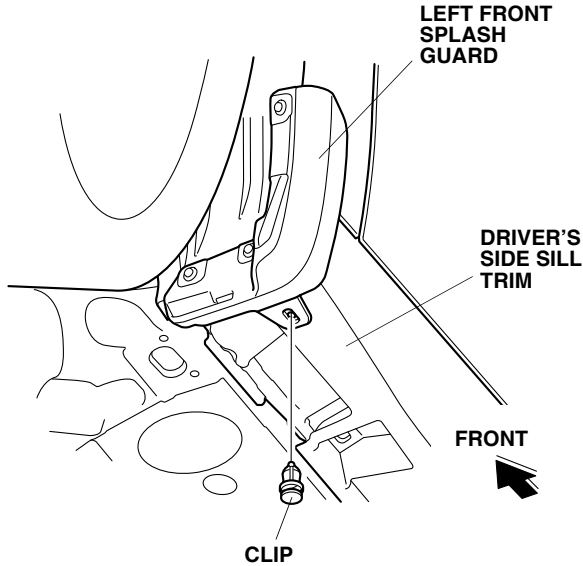
6. Using a pushpin, pierce the center of the three clips in the driver's front inner fender.



7. Install the left front splash guard to the driver's front inner fender with three 5 x 25 mm self-tapping screws in the order 1 → 2 → 3. NOTE: Make sure that the splash guard is secured properly.



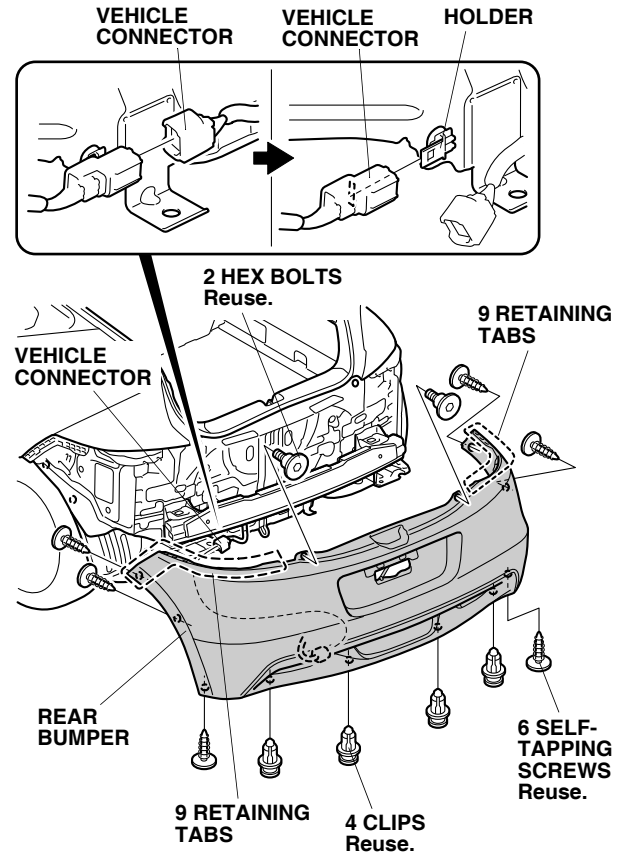
8. Secure the left front splash guard to the driver's side sill trim with one clip.  
NOTE: Make sure there is no gap between the left front splash guard and the body. If there is a gap, loosen the self-tapping screws, remove the gap, and re-tighten the self-tapping screws.



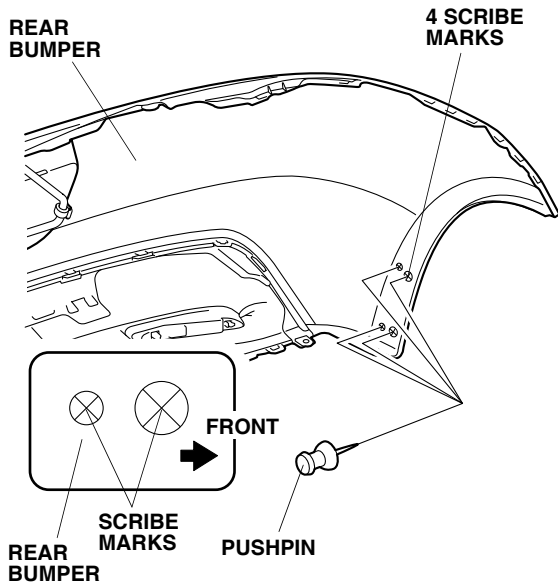
9. Turn the steering wheel all the way clockwise and repeat steps 4 through 8 to install the right front splash guard.

## Installing the Rear Splash Guards

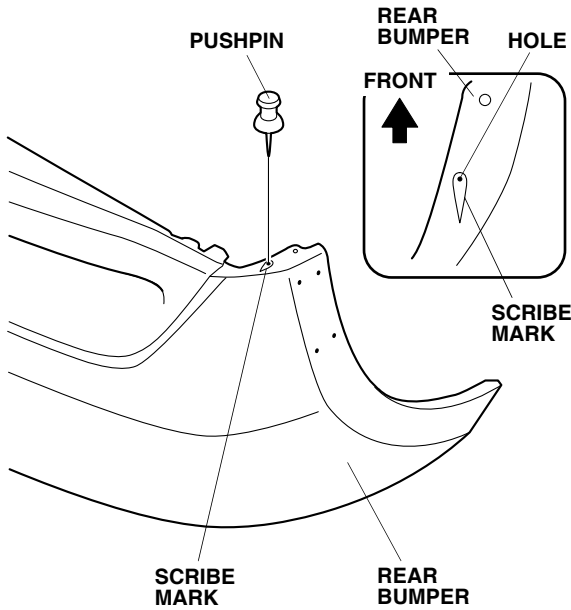
10. Open the hatch.
11. Remove the rear bumper (six self-tapping screws, two hex bolts, four clips, eighteen retaining tabs, unplug the vehicle connector, and release the vehicle connector from the holder).  
NOTE: Have an assistant help you when removing the rear bumper. Place the rear bumper on a blanket after removal.



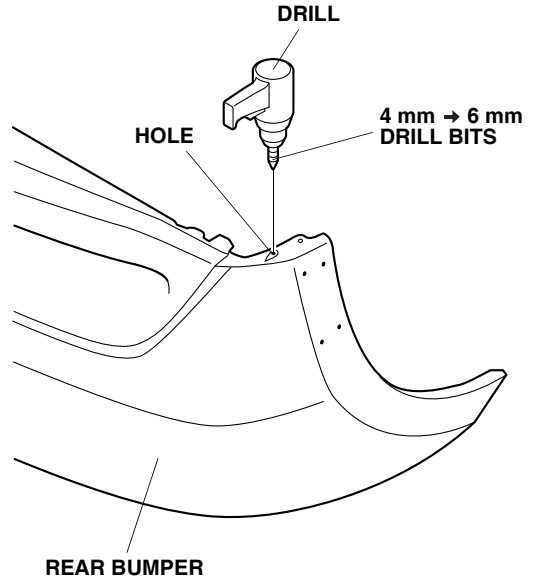
12. Using a pushpin, pierce the centers of the four scribe marks on the rear bumper as shown.  
NOTE: Chalk the scribe mark to make it more visible.



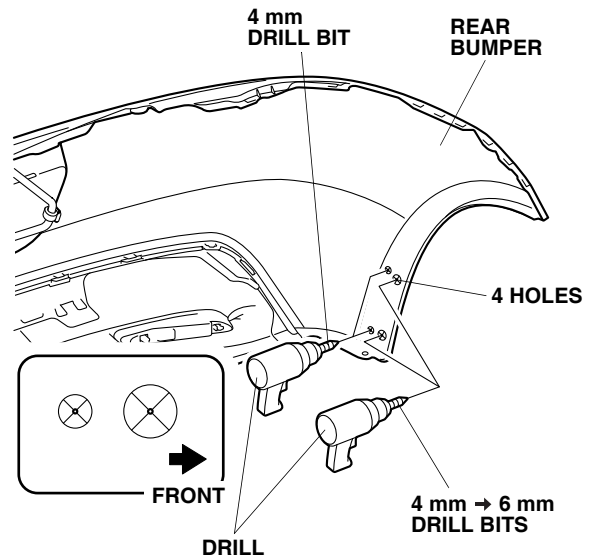
13. Using a pushpin, pierce the center of one scribe mark on the bottom of the rear bumper as shown.



14. While wearing eye protection, drill a hole in the rear bumper with a 4 mm drill bit, then enlarge the hole with a 6 mm drill bit. Remove any burrs.

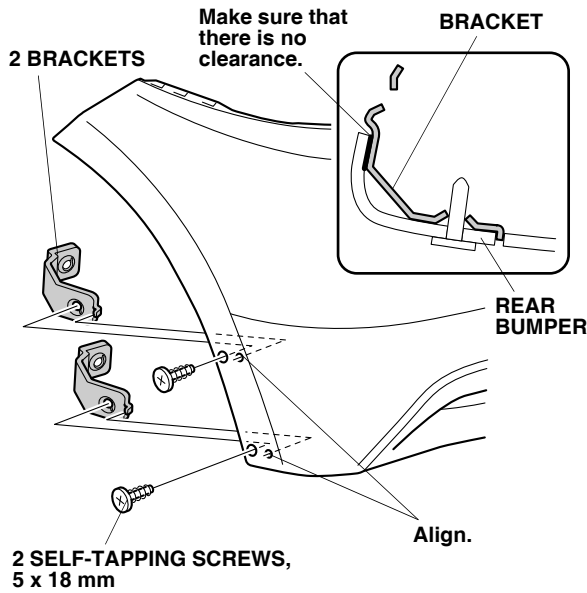


15. Drill four holes in the rear bumper with a 4 mm drill bit.

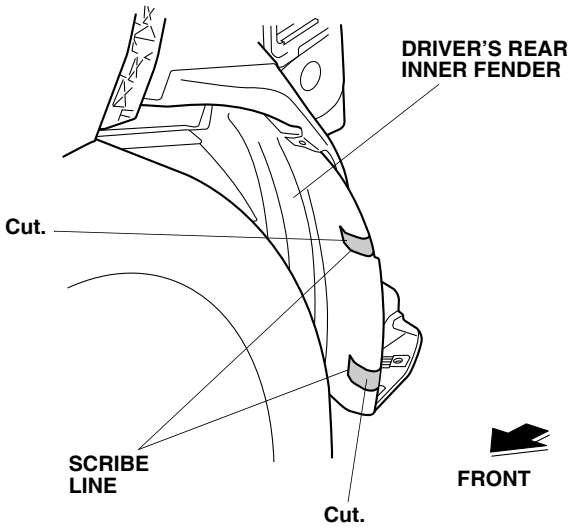


16. Enlarge the two front holes in the rear bumper with a 6 mm drill bit. Remove any burrs.

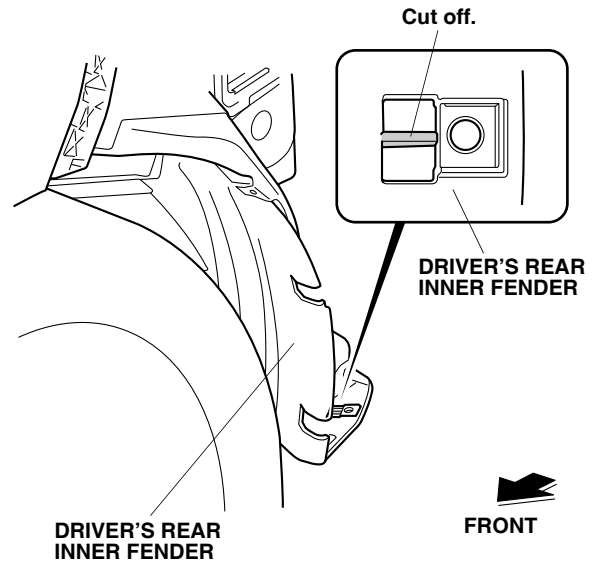
- Align two brackets to the rear bumper, and install them with two 5 x 18 mm self-tapping screws.  
NOTE: Make sure that there is no clearance between the bracket and rear bumper.



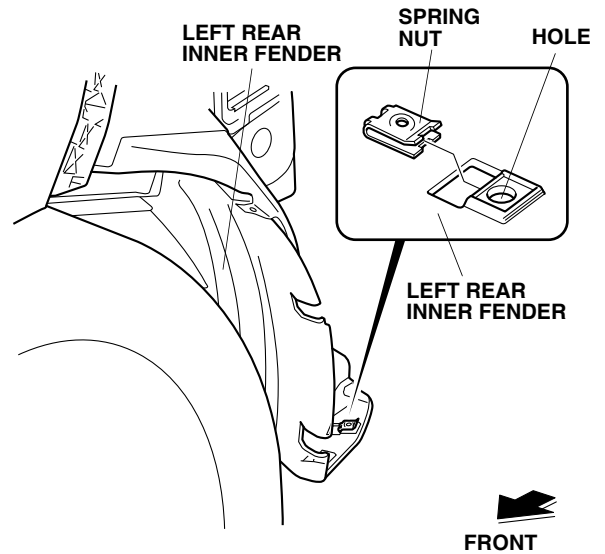
- Repeat steps 12 through 17 on the right side of the rear bumper.
- Using a utility knife, cut along the scribe lines on the driver's rear inner fender. Remove the two sections of the inner fender.



- Using a utility knife, cut off the tab in the driver's rear inner fender as shown.

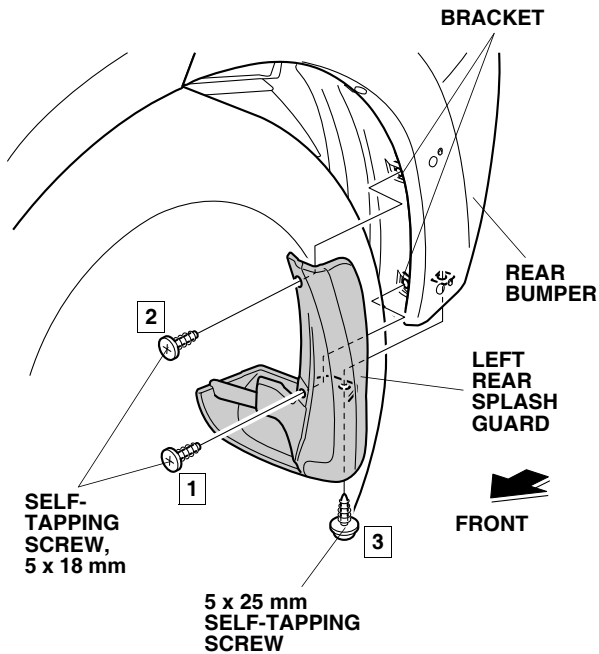


- Install one spring nut over the hole in the driver's rear inner fender.



- Repeat steps 19 through 21 on the right side of the vehicle.
- With the help of an assistant, reinstall the rear bumper.

24. Install the left rear splash guard onto the two brackets and the left rear inner fender with two 5 x 18 mm self-tapping screws and one 5 x 25 mm self-tapping screw.



25. While holding the splash guard firmly against the bumper, tighten the self-tapping screws in the order shown.
26. Repeat the same procedure on the right side of the vehicle.
- NOTE:** Make sure that the splash guards are secured properly. Make sure there is no gap between the splash guard and the bumper. If there is a gap, loosen the self-tapping screws, remove the gap, and re-tighten the self-tapping screws.

27. Reconnect the negative cable to the battery.
28. Enter the customer's anti-theft code for the audio and navigation system (if equipped), and reset the radio station presets.
29. Reset the clock.
30. If the IMA battery level gauge display is at zero, start the engine, and hold it between 3,500 and 4,000 rpm (without load) in P or N position until the IMA battery level gauge display shows at least half-charged.